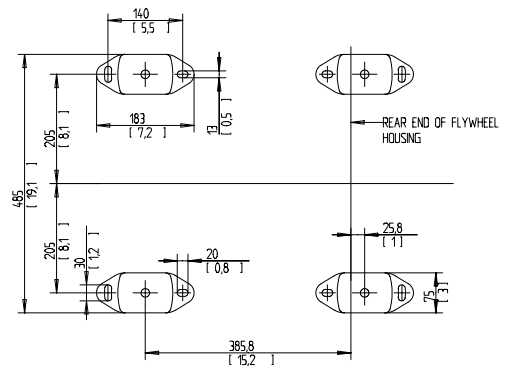
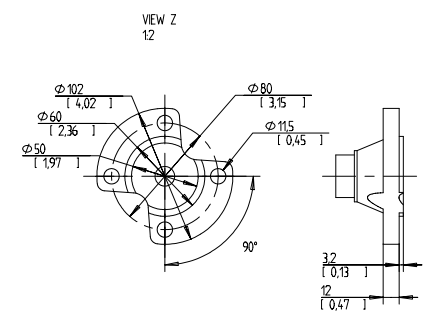
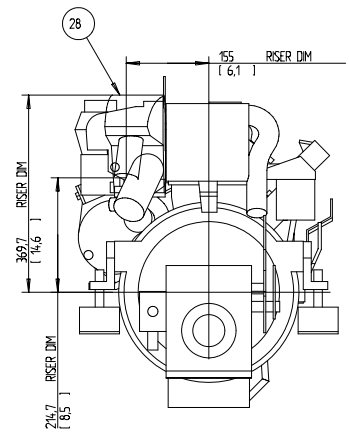
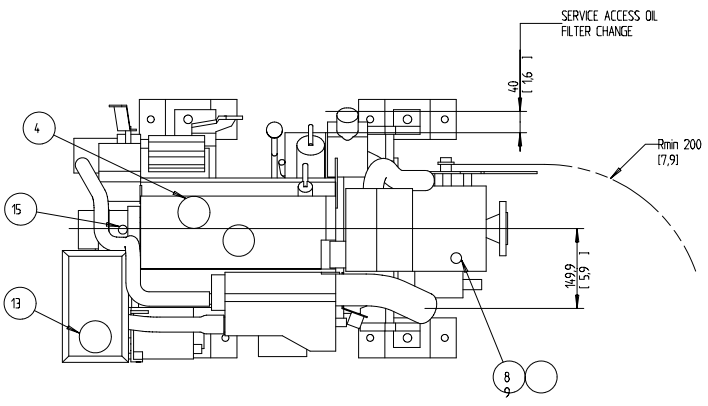
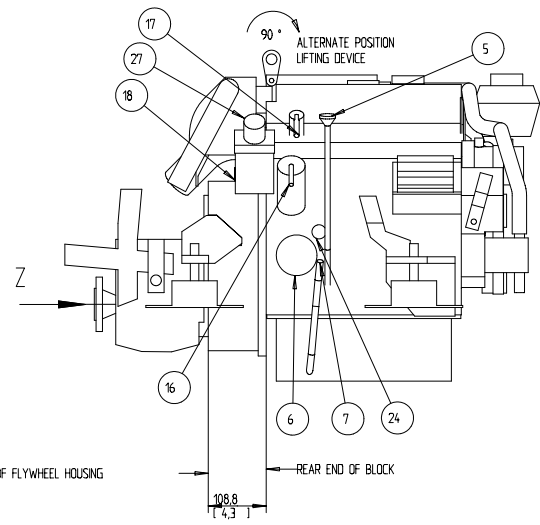
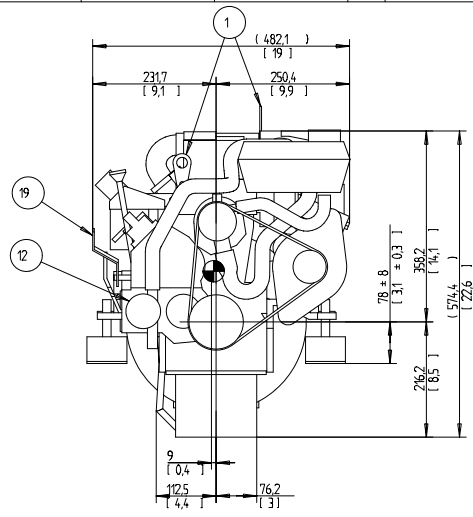
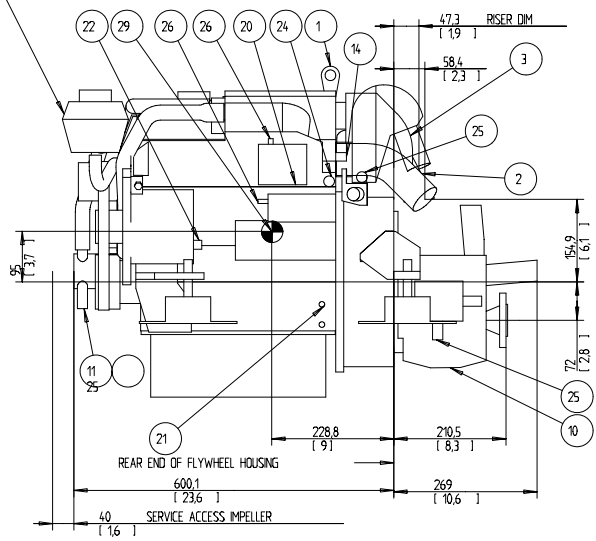


EXPANSION TANK CAN BE BULK HEAD MOUNTED
THEN USE HOSE Ø75 943366 AND Ø16 952969



Customer Name	Location	Change description	P/A	Doc No	Rev	Released
				D 1.2	03/11	RELEASED

SCALE 1:5
OIL CAPACITY INCLUDING OIL FILTER: 5.7 LITERS
FRESHWATER SYSTEM CAPACITY: 6.4 LITERS
WEIGHTS:
DRY 161 kg
OIL & WATER 169 kg
DIMENSION IN MILLIMETRES AND (INCHES)

NR	ITEM
1	LIFTING DEVICE
2	EXHAUST ELBOW FOR HOSE ID 45(1.75)
3	AIR FILTER (SILENCER)
4	OIL FILLING
5	OIL DIPSTICK ENGINE
6	OIL FILTER
7	OIL DRAIN (WITH PUMP) ENGINE ID 8 (10.35)
8	OIL DIPSTICK REVERSE GEAR
9	OIL FILLER CAP REVERSE GEAR
10	OIL DRAIN REVERSE GEAR
11	SEAWATER INLET FOR HOSE ID 19(0.75)
12	SEA WATER PUMP
13	WATER FILLER CAP FRESH WATER
14	HOTWATER OUTLET
15	HOTWATER INLET
16	FUEL CONNECTION FOR HOSE ID 10 (13/8)
17	FUEL RETURN CONNECTION FOR HOSE ID 10 (13/8)
18	FUEL FILTER
19	SPEED CONTROL LEVER
20	CONNECTION BOX FOR EXTENSION CABLE
21	BATTERY MINUS (-) CONNECTION
22	PLUS (+) CONNECTION FOR CHARGING DISTRIBUTOR
23	STARTER BATTERY PLUS (+) CONNECTION
24	WATER DRAIN FRESH WATER
25	WATER DRAIN SEAWATER
26	AUTOMATIC FUSE RESET
27	HAND PRIMER PUMP
28	RISER (OPTIONAL)
29	CENTRE OF GRAVITY

VOLVO PENTA ENGINE DIMENSIONS D2-40/MS15L		DIMENSION DRAWING Part number: 3591393	SHEETS: DISSEMINATION AND CONTROL DRAWING METHODS STD 00-5000 AND STD 502500	
VOLVO PENTA		Document No: 3591393	Date: 10/11	Scale: 1:5

3591393-01 - Downloaded from www.volvo-penta.com 27/03/2015 19:40:43